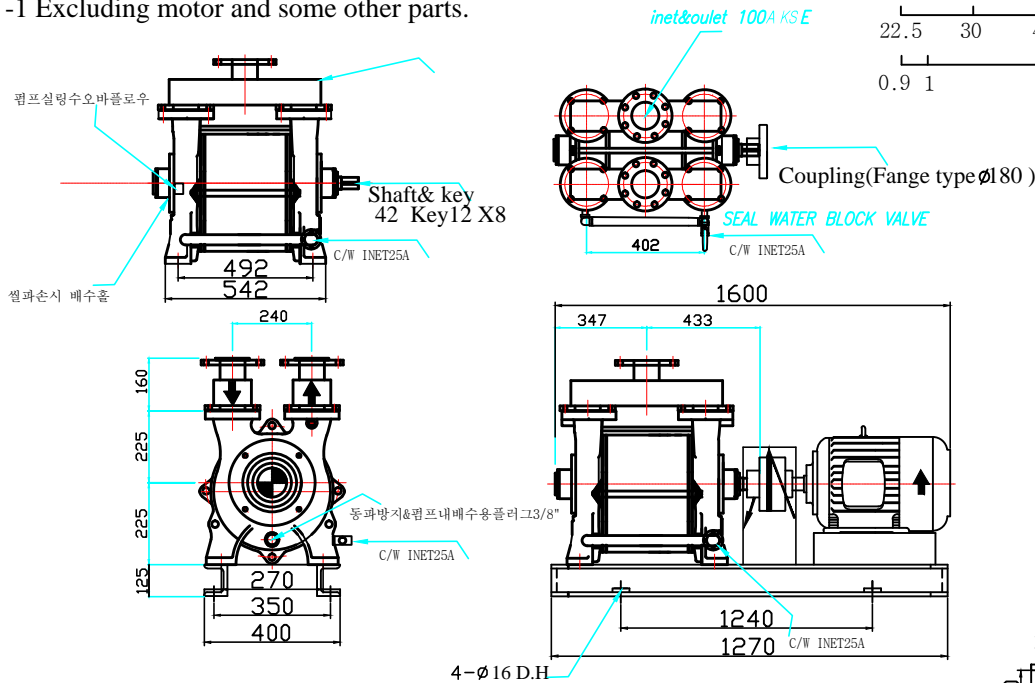
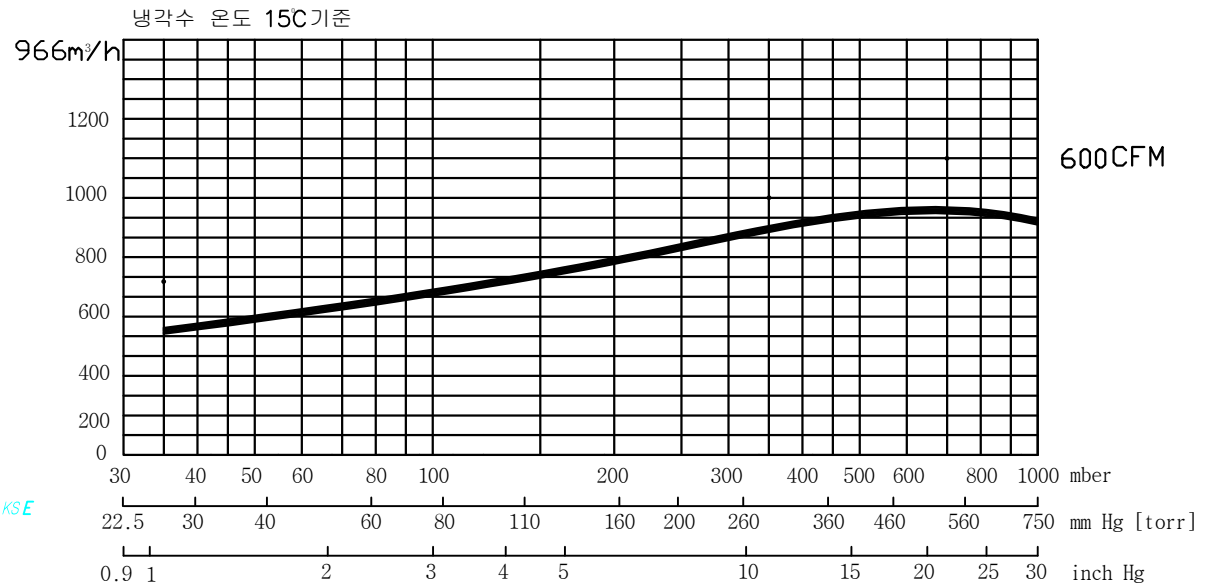


SPECIFICATIONS

Design	12466 Lit./min(50Hz)
Displacement	16100 Lit./min(60Hz)
Speed	1400 r.p.m. (50Hz)
	1750 r.p.m. (60Hz)
Normal usage vacuum pressure	Under 40 Torr & 720MMHG
Attainable vacuum pressure	Max 22.5Torr & Max 33mber
Suction port diameter	KS 100A (2) in&out
Motor	Horizontal Motor Standard 3-Phase 380V 60Hz 37kW 4P
Water Capacity	15 °C 기준 70L/MIN
Weight	470 Kg
Painting	Company's standard
Allowable ambient temp.	-10~40 °C

-1 Excluding motor and some other parts.

Curve referred to dry air at 20°C (68°F) 배 기 량 SUCTION CAPACITY



ACCESSORIES (Option)

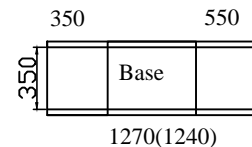
- Vacuum Manual Valve
- Vacuum gauge
- Vacuum Check Valve
- Separator Tank
- Gas Ejector 8torr

CONSUMABLE LIST

(Vacuum.ENG GENUINE PARTS)

Designation	Specification	Quantity/set
M/C SEAL	Ø 60	2
Bearing	6310ZZ (Special) Heat - resisting grease	2
Amper	47 A 36.3A	380V 59A
Motor Sepc	180L Shaft 55Key15x6	1
Pump Body	220 kg	1

- 품질 개선을 위해서 예고없이 변경 될수 있음.
- Not binding dimension that can change according to motor make



DWG DATE	SCALE		TITLE	WATER RING V/P
2016.04.03	N/S			
DWGBY	DESNBY	CHDBY	APPROVE	CLIENT
				LOCATION
			DWG NO	JHLP1-1600